

- AC radial blower with external rotor shaded-pole motor. Impedance protected against overloading.
- Spiral housing and blower wheel of fibreglass-reinforced plastic. Housing base of galvanised steel plate.
- Air exhaust radial, through housing port. Rotational direction CW looking at rotor.
- Electrical connection via 2 leads. Stripped and tinned ends.
- Mass 680 g.

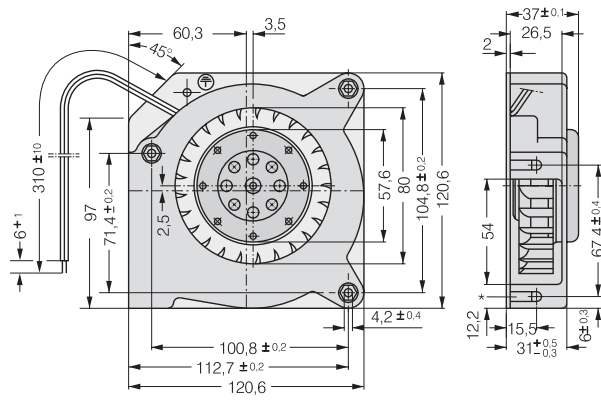
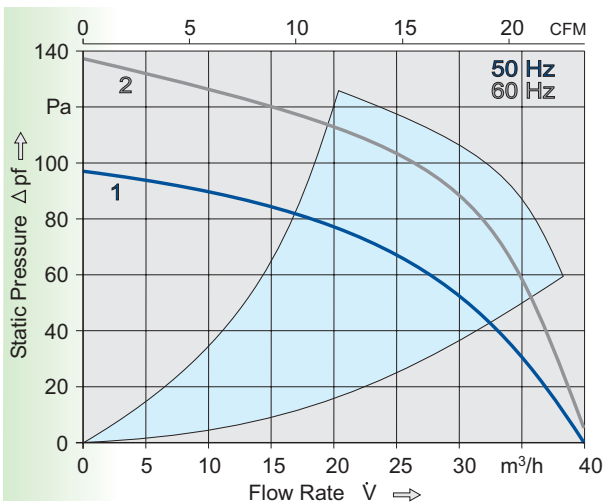
SERIES RL90

121x121x37mm

Air Flow		Nominal Voltage	Frequency	Noise	Sinter-Sleeve Bearings	Ball Bearings	Power Input	Nominal Speed	Temperature Range	Service Life t_{50}	at t_{max}	Curve	Type
m ³ /h	CFM	V	Hz	dB(A)	bels	○ ●	Watt	min ⁻¹	°C	Hours	Hours		
40	23.5	230	50	-	5.6	○	20	2450	-10...+50	37 500 / 30 000		1	RL90-18/50
40	23.5	230	50	-	5.6	●	20	2450	-30...+70	37 500 / 20 000		1	RL90-18/56
42	24.7	115	60	-	6.0	○	19.5	2550	-10...+60	37 500 / 25 000		2	RL90-18/00
42	24.7	115	60	-	6.0	●	19.5	2550	-30...+85	37 500 / 15 000		2	RL90-18/06

⊕ Housing base with flat pin 6.3x0.8 for grounding wire.

Fan Type		Lead Wires
RL 90-18/50	RL 90-18/00	AWG 18. TR 32
RL 90-18/56	RL 90-18/06	AWG 22



*Speed nut M4 or 8-32UNC. Screw-in depth max.12,5 min.9,0