



- AC fans with external rotor shaded-pole motor. Impedance protected against overloading.
- Metal fan housing and impeller
- Air intake over struts. Rotational direction CW looking at rotor.
- Electrical connection via 2 flat pins 2.8 x 0.5 mm.
- Fan housing with ground lug and screw M4x8 (TORX).
- Mass 490 g.

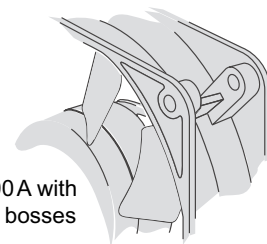
SERIES 8000A

80x80x38 mm

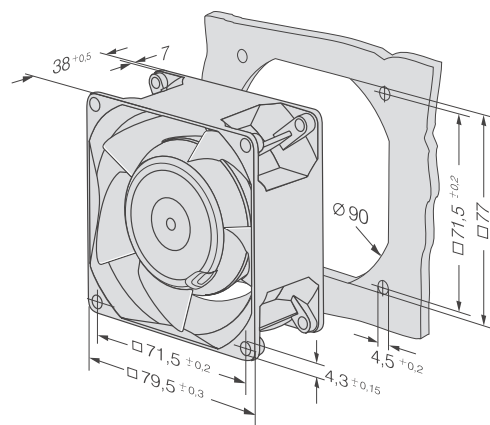
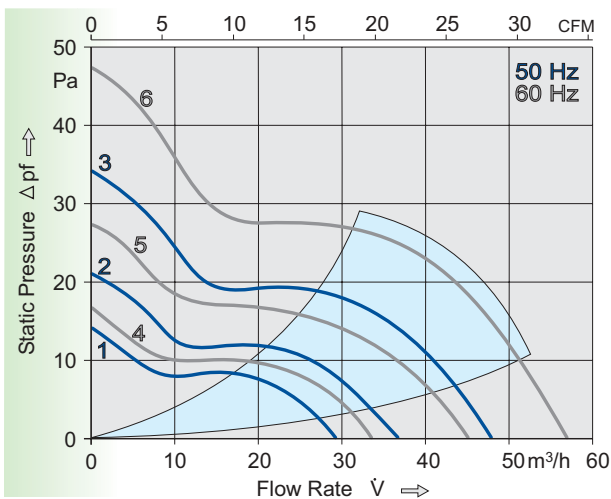
Air Flow		Nominal Voltage	Frequency	Noise		Sinter-Sleeve Bearings		Power Input	Nominal Speed	Temperature Range	Service Life L_{10}		Curve	Type
m^3/h	CFM					V	Hz				dB(A)	bels		
29	17.1	230	50	26	4.1	○	9	1750	-10...+80	60 000 / 25 000		1	8880A	
36	21.2	230	50	31	4.6	○	12.5	2150	-10...+70	52 500 / 25 000		2	8850A	
48	28.3	230	50	36	5.0	○	12	2700	-10...+70	52 500 / 25 000		3	8550A	
48	28.3	230	50	37	5.1	●	12	2800	-40...+90	52 500 / 15 000		3	8556A	
34	20.0	115	60	29	4.3	○	8	1950	-10...+80	62 500 / 25 000		4	8830A	
45	26.5	115	60	34	4.8	○	11	2500	-10...+70	55 000 / 27 500		5	8800A	
57	33.6	115	60	41	5.5	○	11	3200	-10...+75	55 000 / 25 000		6	8500A	
57	33.6	115	60	42	5.7	●	11	3300	-40...+95	55 000 / 15 000		6	8506A	

Available on request:

- electrical connection via single leads
- air exhaust over struts, rotational direction CW



Series 8000A with mounting bosses





- AC fans with external rotor shaded-pole motor. Impedance protected against overloading.
- Metal fan housing and impeller
- Air exhaust over struts. Rotational direction CW looking at rotor.
- Electrical connection via 2 leads. Stripped and tinned ends.
- Fan housing with ground lug for screw M4.
- Mass 480 g.

SERIES 8000N

80x80x38 mm

Air Flow		Nominal Voltage	Frequency	Noise		Sinter-Sleeve Bearings Ball Bearings	Power Input	Nominal Speed	Temperature Range	Service Life t_{L10}		Curve	Type
m^3/h	CFM			dB(A)	bels					Hours	at t_{max}		
30	17.7	230	50	18	3.3	○	9	1750	-10...+80	60 000 / 25 000		1	8880N
37	21.8	230	50	24	3.9	○	12.5	2150	-10...+70	52 500 / 25 000		2	8850N
50	29.4	230	50	30	4.4	○	12	2700	-10...+70	52 500 / 25 000		3	8550N
50	29.4	230	50	31	4.5	●	12	2800	-40...+90	52 500 / 15 000		3	8556N
36	21.2	115	60	21	3.7	○	8	1950	-10...+80	62 500 / 25 000		4	8830N
47	27.7	115	60	28	4.3	○	11	2500	-10...+70	55 000 / 27 500		5	8800N
61	35.9	115	60	34	4.8	○	11	3200	-10...+75	55 000 / 25 000		6	8500N
61	35.9	115	60	35	5.0	●	11	3300	-40...+95	55 000 / 15 000		6	8506N

Fan Type				Lead Wires	
8830N	8800N	8550N	8500N	310 mm long	AWG 18. TR 64
8556N	8506N			310 mm long	AWG 22
8880N	8850N			440 mm long	AWG 18. TR 64

