



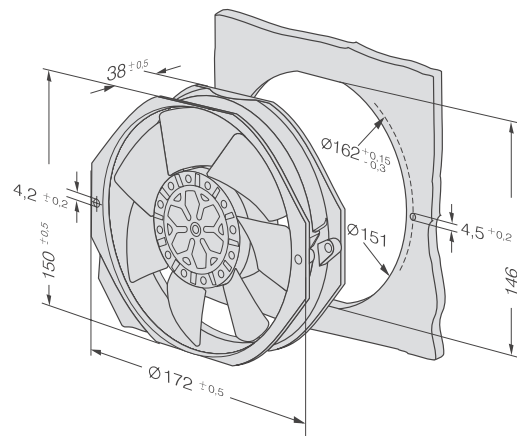
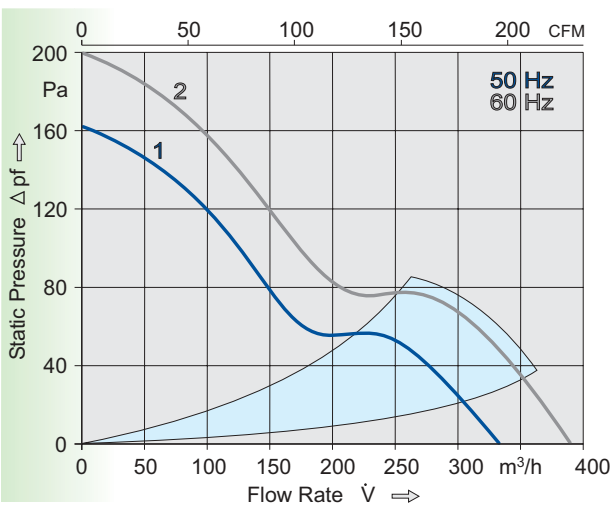
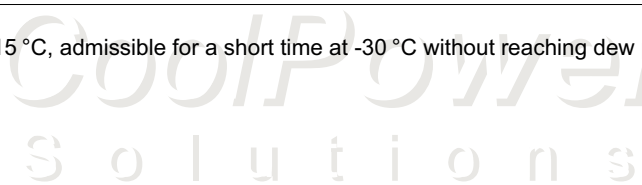
- AC fans with external rotor capacitor motor. Protected against overloading by integrated thermal cutout.
- Metal fan housing and impeller.
- Air exhaust over struts. Rotational direction CCW looking at rotor.
- Electrical connection via 2 flat pins 2.8 x 0.5 mm.
- Fan housing with ground lug and screw M4 x6 DIN 7500-C.
- Mass 900 g.

SERIES 7000

150x172x38mm

Air Flow		Nominal Voltage	Frequency	Noise	Sinter-Sleeve Bearings Ball Bearings		Power Input	Nominal Speed	Temperature Range	Service Life L ₀ at t _{max}		Curve	Type
m ³ /h	CFM	V	Hz	dB(A)	bels	○ ●	Watt	min ⁻¹	°C	Hours	Hours		
330	194.2	230	50	52	6.4	●	29	2800	-30...+65	60000 / 32000		1	7056ES
390	229.6	115	60	57	6.8	●	24	3300	-30...+80	55000 / 18000		2	7006ES

Minimum ambient temperature -15 °C, admissible for a short time at -30 °C without reaching dew point.





- AC fans with external rotor shaded-pole motor. Protected against overloading by integrated thermal cutout.
- Metal fan housing and impeller.
- Air exhaust over struts. Rotational direction CCW looking at rotor.

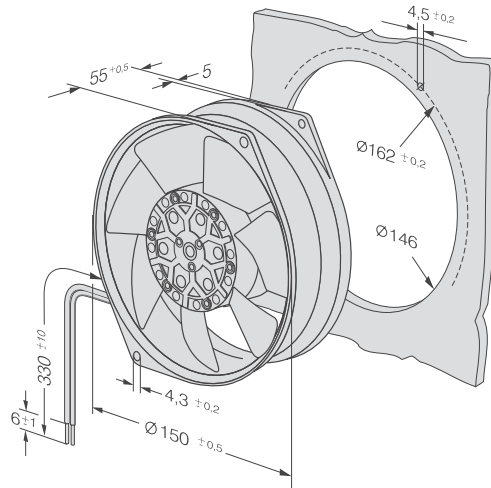
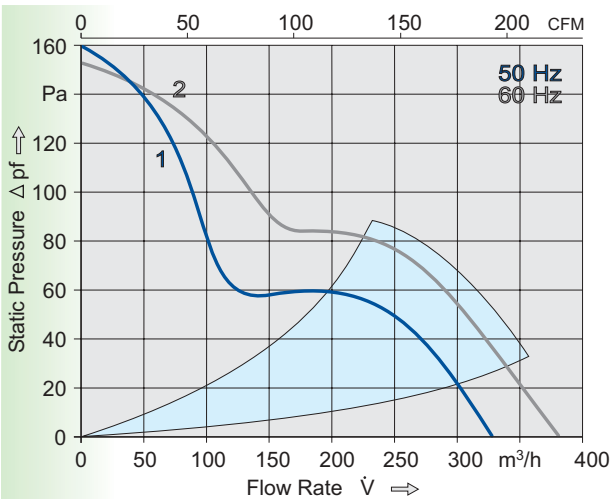
- Electrical connection via 2 leads. Stripped and tinned ends.
- Fan housing with ground lug and screw M4x6 DIN 7500-C.
- Mass 1.1 kg.

SERIES 7800

150Øx55mm

Air Flow		Nominal Voltage	Frequency	Noise		Sinter-Sleeve Bearings	Power Input	Nominal Speed	Temperature Range	Service Life L ₁₀	at t _{max}	Curve	Type
m ³ /h	CFM	V	Hz	dB(A)	bels	○ ●	Watt	min ⁻¹	°C	Hours	Hours		
325	191.3	230	50	48	6.0	●	45	2800	-30...+50	40000 / 21000		1	7855 ES
325	191.3	230	50	48	6.0	●	45	2800	-30...+70	40000 / 12000		1	7856 ES
380	223.7	115	60	52	6.4	●	38	3250	-30...+75	40000 / 19000		2	7805 ES
380	223.7	115	60	52	6.4	●	38	3250	-30...+90	40000 / 12500		2	7806 ES

Minimum ambient temperature -15 °C, admissible for a short time at -30 °C without reaching dew point.





- AC fans with external rotor shaded-pole motor. Protected against overloading by integrated thermal cutout.
- Metal fan housing and impeller.
- Air intake over struts. Rotational direction CCW looking at rotor.

- Electrical connection via 2 leads. Stripped and tinned ends.
- Fan housing with ground lug and screw M4x6 DIN 7500-C.
- Mass 1.1 kg.

SERIES 7400

150Øx55mm

Air Flow		Nominal Voltage	Frequency	Noise	Sinter-Sleeve Bearings	Power Input	Nominal Speed	Temperature Range	Service Life L ₁₀		Curve	Type
m ³ /h	CFM								at 40 °C	at t _{max}		
390	229.6	230	50	58	6.8	●	47	2700	-30...+60	40000 / 18000	1	7450 ES
445	261.9	115	60	60	6.9	●	46	3050	-30...+80	38000 / 15000	2	7400 ES

Minimum ambient temperature -15 °C, admissible for a short time at -30 °C without reaching dew point.

