



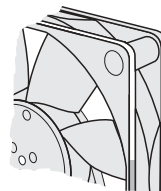
- DC fans with electronically commutated external rotor motors. Fully integrated commutation electronics.
- With electronic protection against reverse polarity, blocking and overloading by PTC-resistor; partially impedance protected.

- Fan of fibreglass reinforced plastic. PBTP housing, PA impeller.
- Air exhaust over struts. Rotational direction CCW looking at rotor.
- Electrical connection via 2 leads AWG 24, TR 64. Stripped and tinned ends
- Mass 175 g.

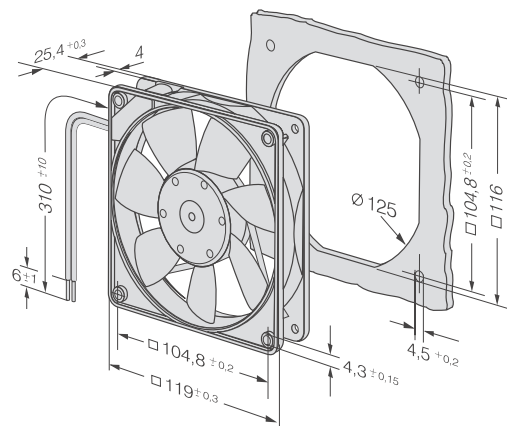
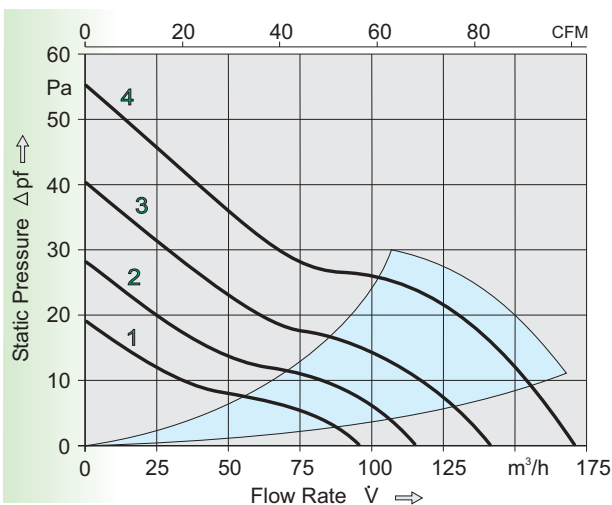
SERIES 4400 F

119x119x25mm

Air \square low		Nominal Voltage		Noise		Sinter-Sleeve Bearings	Power Input	Nominal Speed	Temperature Range	Service Life L_{10}		Curve	Type
m ³ /h	CFM	V DC	V DC	dB(A)	bels	/ O ●	Watt	min ⁻¹	°C	Hours	Hours		
94	55.3	12	7...14	26	3.9	○	1.25	1600	-20...+75	80000 / 35000		1	4412FGL
114	67.1	12	7...12.6	32	4.3	○	2.0	1950	-20...+75	75000 / 32500		2	4412FGML
140	82.4	12	7...12.6	38	4.8	○	3.2	2400	-20...+75	70000 / 30000		3	4412FGM
140	82.4	12	7...12.6	38	4.8	●	3.2	2400	-20...+75	70000 / 30000		3	4412FM
140	82.4	24	12...28	38	4.8	●	3.2	2400	-20...+75	70000 / 30000		3	4414FM
170	100.1	24	12...28	43	5.3	●	5.0	2900	-20...+75	62500 / 27500		4	4414F
170	100.1	48	43...56	43	5.3	●	6.5	2900	-20...+60	52500 / 30000		4	4418F



Available on request:
Fan housing with stiffening ribs. For mounting over both \square anges.



MEGAFAN

THE NEW FAN GENERATION

CoolPower
Solutions



- DC fans with electronically commutated external rotor motors. Fully integrated commutation electronics.
- With electronic protection against reverse polarity, blocking and overloading; partially impedance protected.

- Fan of fibreglass reinforced plastic. PBTP housing, PA impeller.
- Air exhaust over struts. Rotational direction CCW looking at rotor.
- Electrical connection via leads AWG 22, TR 64. Stripped and tinned ends
- Mass 240 g.

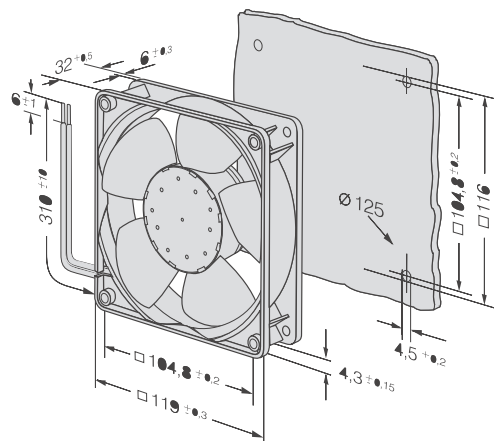
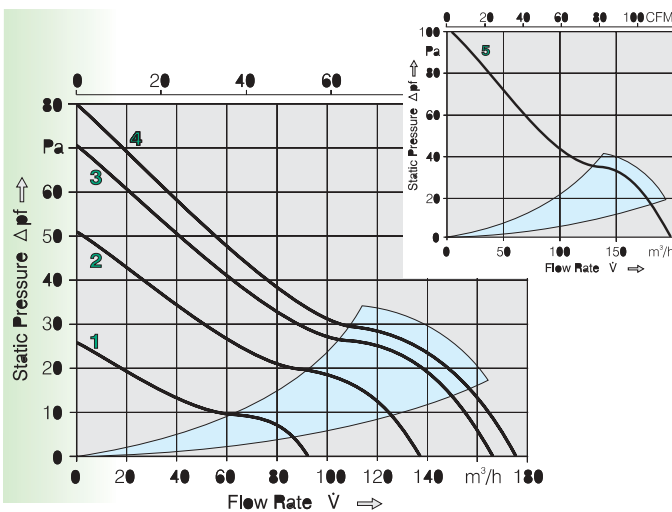
SERIES 4300N

119x119x32 mm

Air Flow	Air Flow	Nominal Voltage	Voltage Range	Noise	Sinter-Sleeve Bearings	Ball Bearings	Power Input	Nominal Speed	Temperature Range	Service Life L ₁₀	at 20 °C	at 60 °C	Curve	Type
m ³ /h	CFM	V DC	V DC	dB(A)	○/	○	Watt	min ⁻¹	°C	Hours	Hours			
93	54.7	12	7...14.5	28	4.1	○	1.2	1650	-20...+70	80 000 / 40 000			1	4312NGL
137	80.6	12	7...14.5	37	5.1	○	2.6	2450	-20...+70	70 000 / 35 000			2	4312NGM
166	97.7	12	7...14.5	43	5.6	○	4.0	3000	-20...+70	60 000 / 30 000			3	4312NGN
93	54.7	24	12...28	28	4.1	○	1.2	1650	-20...+70	80 000 / 40 000			1	4314NGL
137	80.6	24	12...28	37	5.1	○	2.6	2450	-20...+70	70 000 / 35 000			2	4314NGM
166	97.7	24	12...28	43	5.6	○	4.0	3000	-20...+70	60 000 / 30 000			3	4314NGN

Optional:

- Ball bearing versions available shortly



Cool Power Solutions Oy

Keskustie 6
01900 Nurmijärvi

Puh: 09-2906 1990
Fax: 09-2906 1991

info@coolpowersolutions.fi
www.coolpowersolutions.fi



- DC fans with electronically commutated external rotor motors. Fully integrated commutation electronics.
- With electronic protection against reverse polarity, blocking and overloading by PTC-resistor; partially impedance protected.

- Fan of fibreglass reinforced plastic. PBTP housing, PA impeller.
- Air exhaust over struts. Rotational direction CW looking at rotor.
- Electrical connection via leads AWG 22, TR 64. Stripped and tinned ends
- Mass 220 g.

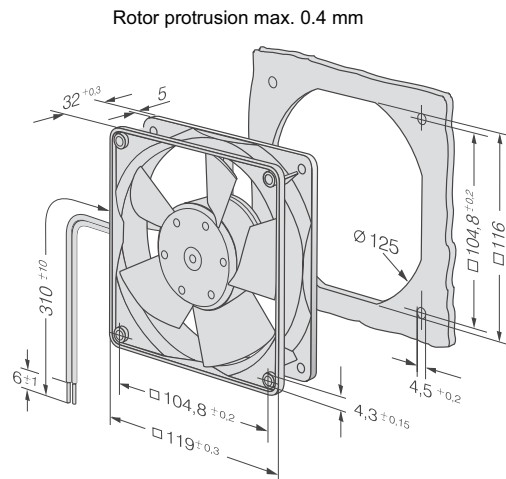
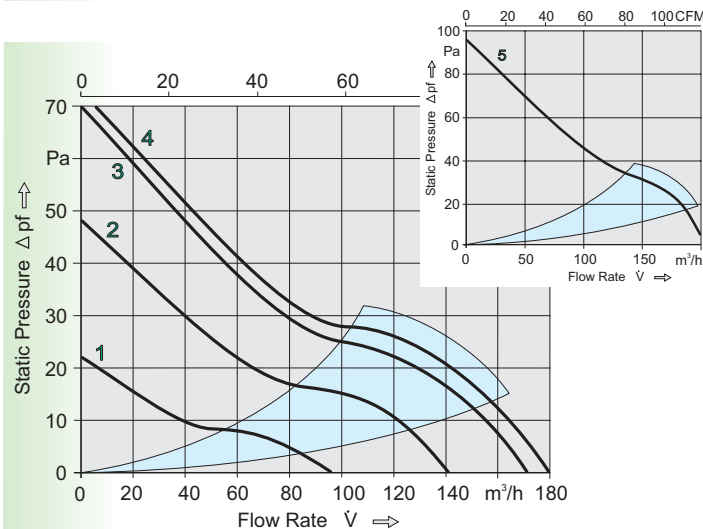
SERIES 4300

119x119x32mm

Air Flow	Air Flow	Nominal Voltage		Voltage Range	Noise	Sinter-Sleeve Bearings	Power Input	Nominal Speed	Temperature Range	Service Life L ₁₀ at 40 °C		Curve	Type
m ³ /h	CFM	V DC	V DC	dB(A)	bels	/ ○ ●	Watt	min ⁻¹	°C	Hours	Hours		
95	55.9	12	6...15	30	4.3	○	1.2	1550	-20...+75	80 000 / 35 000		1	4312GL
95	55.9	12	6...15	30	4.3	●	1.2	1550	-20...+75	80 000 / 35 000		1	4312L
140	82.4	12	6...15	39	5.3	○	2.6	2300	-20...+75	70 000 / 30 000		2	4312GM
140	82.4	12	6...15	39	5.3	●	2.6	2300	-20...+75	70 000 / 30 000		2	4312M
170	100.1	12	6...15	45	5.8	○	5.0	2800	-20...+75	62 500 / 27 500		3	4312G
170	100.1	12	6...15	45	5.8	●	5.0	2800	-20...+75	62 500 / 27 500		3	4312
180	105.9	12	6...15	47	6.1	●	5.8	3000	-20...+75	57 500 / 25 000		4	4312-143
204	120.1	12	6...13.2	51	6.4	●	8.5	3400	-20...+75	47 500 / 20 000		5	4312-179
95	55.9	24	12...28	30	4.3	●	1.2	1550	-20...+75	80 000 / 35 000		1	4314L
140	82.4	24	12...28	39	5.3	●	2.6	2300	-20...+75	70 000 / 30 000		2	4314M
170	100.1	24	12...28	45	5.8	○	5.0	2800	-20...+75	62 500 / 27 500		3	4314G
170	100.1	24	12...28	45	5.8	●	5.0	2800	-20...+75	62 500 / 27 500		3	4314
180	105.9	24	12...28	47	6.1	●	5.8	3000	-20...+75	57 500 / 25 000		4	4314-147
204	120.1	24	12...26.5	51	6.4	●	9.5	3400	-20...+75	45 000 / 20 000		5	4314-180
170	100.1	48	36...53	45	5.8	●	5.0	2800	-20...+75	62 500 / 27 500		3	4318

Attention:

In the foreseeable future the 4300 fan series will be removed from the range and replaced by the products of the new series 4300





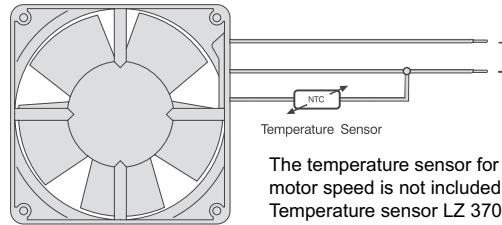
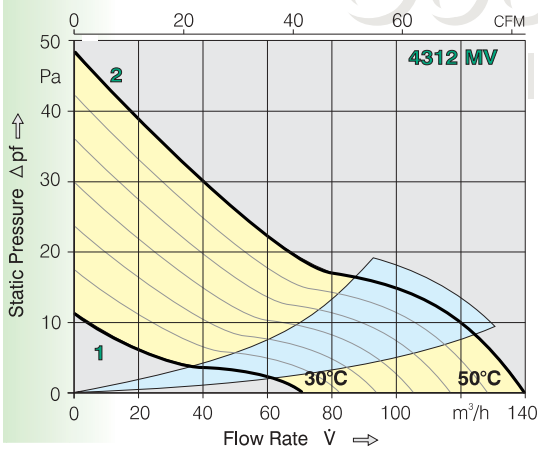
- DC fans with electronically commutated external rotor motors. Fully integrated commutation electronics.
- With electronic protection against reverse polarity, blocking and overloading by PTC-resistor; partially impedance protected.

- Fan of fibreglass reinforced plastic. PBTP housing, PA impeller.
- Air exhaust over struts. Rotational direction CW looking at rotor.
- Electrical connection via 3 leads AWG 22, TR 64. Stripped and tinned ends
- Mass 220 g.

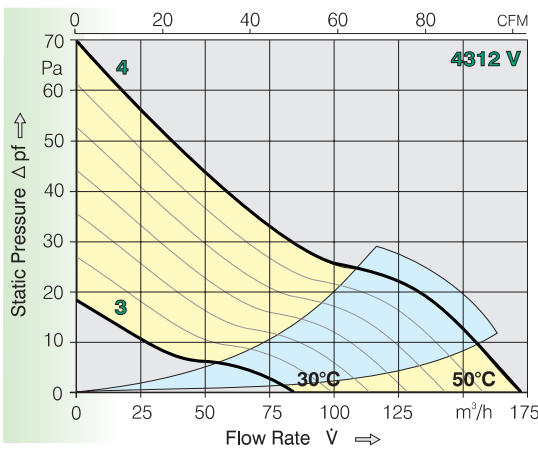
SERIES 4300 VARIOFAN

119x119x32mm

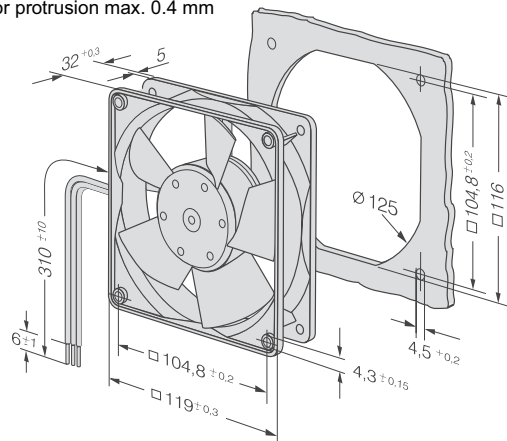
Air \square low	Air \square low	Nominal Voltage		Voltage Range		Noise		Slittec-Sleeve Bearings Ball Bearings	Power Input	Nominal Speed	Temperature Range	Service Life L_{10}		Curve	Type
		m ³ /h	CFM	V DC	V DC	dB(A)	bels					Hours	Hours		
30-50 °C	70	41.2	128...12.6		22	3.7	●	1.4	1150	-20...+65	70000 / 37500	1	4312MV		
	140	82.4	39	5.3	3.4	2300									
30-50 °C	85	50.0	128...12.6		29	4.2	●	1.8	1400	-20...+65	65000 / 35000	3	4312V		
														170	100.0



The temperature sensor for controlling the motor speed is not included in delivery. Temperature sensor LZ 370 see accessories page 76.



Rotor protrusion max. 0.4 mm



MEGAFAN

THE NEW FAN GENERATION

CoolPower
Solutions



- DC fans with electronically commutated external rotor motors. Fully integrated commutation electronics.
- With electronic protection against reverse polarity, blocking and overloading; partially impedance protected.

- Fan of fibreglass reinforced plastic. PBTP housing, PA impeller.
- Air exhaust over struts. Rotational direction CCW looking at rotor.
- Electrical connection via 2 leads AWG 22, TR 64. Stripped and tinned ends
- Mass 240 g.

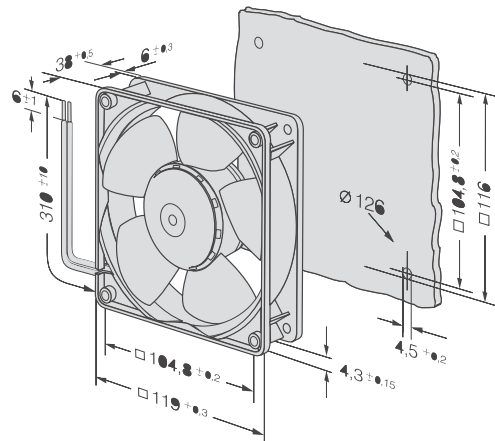
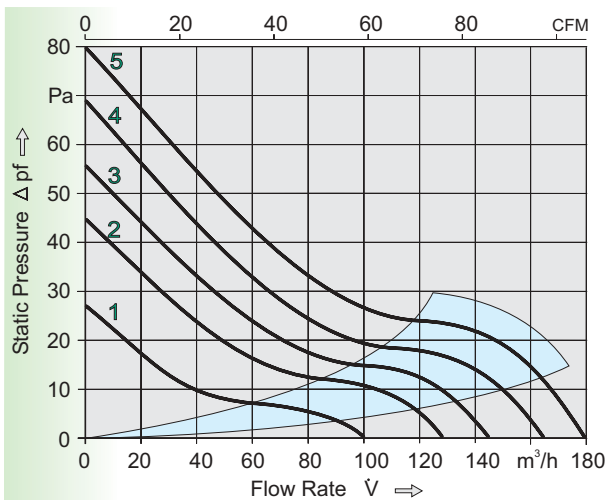
SERIES 4200N

119x119x38mm

Air Flow	Air Flow	Nominal Voltage		Voltage Range		Noise		Sinter-Sleeve Bearings	Power Input	Nominal Speed	Temperature Range	Service Life L ₁₀ at L _{max}		Curve	Type
m ³ /h	CFM	V DC	V DC	dB(A)	bels	/	°	Watt	min ⁻¹	°C	Hours	Hours			
100	58.9	12	7...14.5	28	4.3	○		1.4	1700	-20...+70	80000 / 40000		1	4212NGL	
127	74.8	12	7...14.5	35	4.8	○		2.2	2150	-20...+70	70000 / 35000		2	4212NGML	
144	84.8	12	7...14.5	38	5.1	○		3.0	2450	-20...+70	70000 / 35000		3	4212NGM	
165	97.1	12	7...14.5	42	5.4	○		4.0	2750	-20...+70	60000 / 30000		4	4212NGN	
100	58.9	24	12...28	28	4.3	○		1.4	1700	-20...+70	80000 / 40000		1	4214NGL	
127	74.8	24	12...28	35	4.8	○		2.2	2150	-20...+70	70000 / 35000		2	4214NGML	
144	84.8	24	12...28	38	5.1	○		3.0	2450	-20...+70	70000 / 35000		3	4214NGM	
165	97.1	24	12...28	42	5.4	○		4.0	2750	-20...+70	60000 / 30000		4	4214NGN	

Optional:

- Ball bearing version available shortly
- Varied speeds with high flow rate



Cool Power Solutions Oy

Keskustie 6
01900 Nurmijärvi

Puh: 09-2906 1990
Fax: 09-2906 1991

info@coolpowersolutions.fi
www.coolpowersolutions.fi



- DC fans with electronically commutated external rotor motors. Fully integrated commutation electronics.
- With electronic protection against reverse polarity, blocking and overloading by PTC-resistor; partially impedance protected.

- Fan of fibreglass reinforced plastic. PBTP housing, PA impeller.
- Air exhaust over struts. Rotational direction CCW looking at rotor.
- Electrical connection via 2 leads AWG 22, TR 64. Stripped and tinned ends
- Mass 290 g.

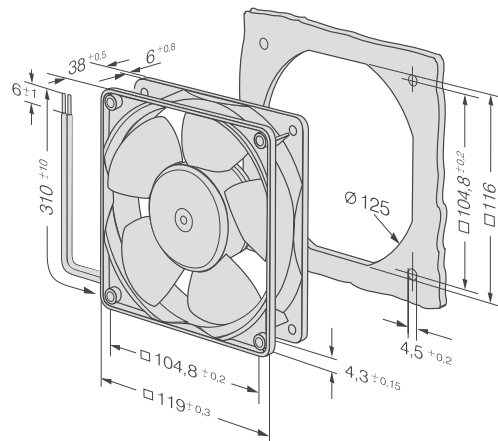
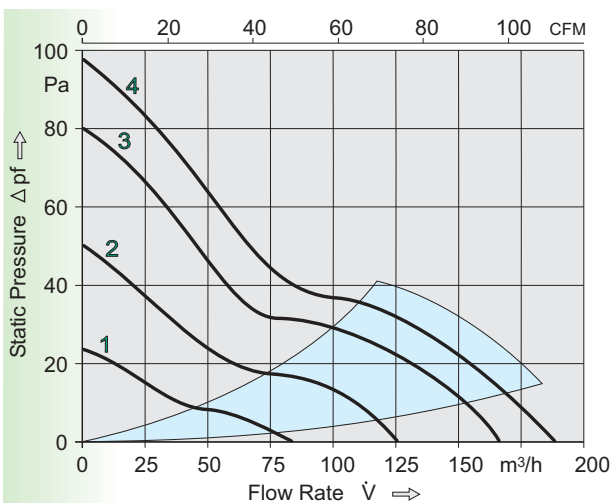
SERIES 4200

119x119x38mm

Air Flow	Air Flow	Nominal Voltage	Voltage Range	Noise	Sinter-Sleeve Bearings	Power Input	Nominal Speed	Temperature Range	Service Life L ₁₀	Service Life L ₅₀	Curve	Type
m ³ /h	CFM	V DC	V DC	dB(A)	bels	Watt	min ⁻¹	°C	Hours	Hours		
86	50.6	127...14.5	29	4.2	●	1.2	1600	-20...+75	80 000 / 35 000	1	4212L	
127	74.7	127...14.5	38	4.9	○	2.2	2350	-20...+75	70 000 / 30 000	2	4212 GM	
127	74.7	127...14.5	38	4.9	●	2.2	2350	-20...+75	70 000 / 30 000	2	4212M	
165	97.1	127...14.5	45	5.6	●	4.3	3050	-20...+75	62 500 / 27 500	3	4212	
184	108.3	127...14.5	49	5.9	●	5.3	3400	-20...+65	60 000 / 32 500	4	4212H	
86	50.6	24 12...28	29	4.2	●	1.2	1600	-20...+75	80 000 / 35 000	1	4214L	
165	97.1	24 12...28	45	5.6	○	4.3	3050	-20...+75	62 500 / 27 500	3	4214 G	
165	97.1	24 12...28	45	5.6	●	4.3	3050	-20...+75	62 500 / 27 500	3	4214	
184	108.3	24 12...28	49	5.9	○	5.3	3400	-20...+65	60 000 / 32 500	4	4214 GH	
184	108.3	24 12...28	49	5.9	●	5.3	3400	-20...+65	60 000 / 32 500	4	4214 H	
165	97.1	48 36...56	45	5.6	●	4.3	3050	-20...+75	62 500 / 27 500	3	4218	
184	108.3	48 36...56	49	5.9	●	5.6	3400	-20...+65	60 000 / 32 500	4	4218H	

Attention:

In the foreseeable future the 4200 fan series will be removed from the range and replaced by the products of the new series 4200





- DC fans with electronically commutated external rotor motors. Fully integrated commutation electronics.
- With electronic protection against reverse polarity, blocking and overloading by PTC-resistor; partially impedance protected.

- Metal fan housing. Impeller of fibre-glass reinforced plastic PA. Housing with ground lug for screw M4.
- Air intake over struts. Rotational direction CW looking at rotor.
- Electrical connection via 2 flat pins 2,8 x 0,5 mm.
- Mass 390 g.

SERIES 4100

119x119x38mm

Air flow	Air flow	Nominal Voltage		Voltage Range		Noise		Synthetic-Sleeve Bearings Ball Bearings	Power Input	Nominal Speed	Temperature Range	Service Life L ₁₀ at 40 °C		Curve	Type
		m ³ /h	CFM	V DC	V DC	dB(A)	bels					Hours	Hours		
160	94.2	12	7...15	44	5.3	○	3.5	2800	-10...+75	85000 / 37500	1	4182NGX			
180	105.9	12	7...15	49	5.7	●	4.5	3200	-30...+75	85000 / 37500	2	4182NX			
160	94.2	24	12...30	44	5.3	○	3.5	2800	-10...+75	85000 / 37500	1	4184NGX			
180	105.9	24	12...29	49	5.7	●	4.5	3200	-30...+75	85000 / 37500	2	4184NX			
237	139.5	24	12...25	59	6.5	●	11	4400	-30...+55	70000 / 50000	3	4184NXH			
160	94.2	48	36...56	44	5.3	●	3.5	2800	-30...+75	85000 / 37500	1	4188NXM			

⊕ 48V Type with grounding screw M4x8 (TORX).

