

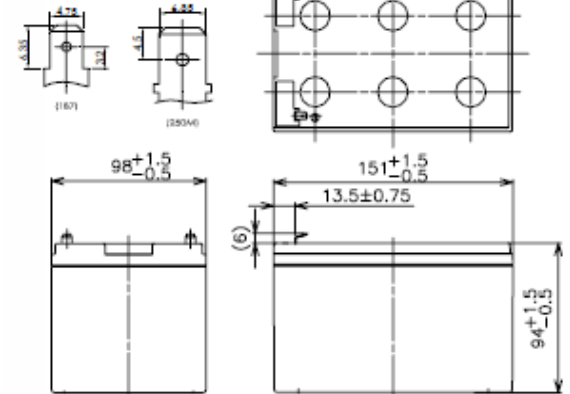
# Panasonic LC-R1215PG

12V 15Ah Lead Acid Battery

CoolPower  
Solutions



Terminal type (option)



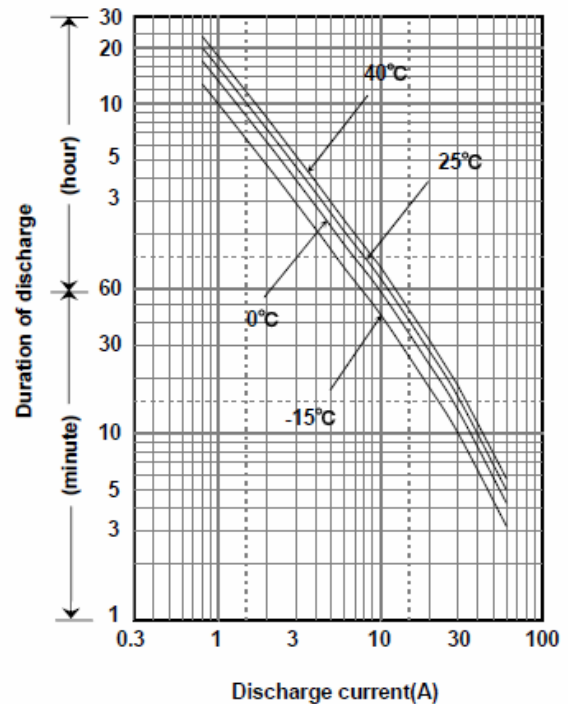
## ■ Specification

Nominal Voltage	12V	
Rated Capacity(20HR)	15Ah	
Dimensions	Length	151 mm
	Width	98 mm
	Height	94 mm
	Total height	100 mm
Approx. Mass	4.15 kg	
Terminal	Faston 187 & 250M	

## ■ Characteristics

Capacity (25 °C)	20 hour rate	15Ah
	10 hour rate	14Ah
	5 hour rate	12.9Ah
	1 hour rate	10Ah
Internal Resistance	Fully charged battery (25 °C)	15 mΩ
	Temperature Dependency of Capacity (20 hour rate)	
	40 °C	102%
	25 °C	100%
	0 °C	85%
	-15 °C	65%
Self Discharge (25 °C)	After 3 months	91%
	After 6 months	82%
	After 12 months	64%

## ■ Duration of discharge vs. discharge current



## ■ Watt Table(25°C)

Cut-off V	Wattage/Battery																
	3min	5min	10min	15min	20min	30min	45min	1h	1.5h	2h	3h	4h	5h	6h	10h	20h	24h
9.6V	850	682	455	350	292	217	157	123	83.9	65.0	47.1	36.0	29.9	25.2	16.2	8.75	7.30
9.9V	799	646	444	343	286	213	156	123	82.8	64.6	46.9	35.8	29.7	25.1	16.1	8.74	7.29
10.2V	741	607	433	336	281	211	154	121	81.4	63.4	46.4	35.7	29.5	24.9	15.9	8.72	7.27
10.5V	667	555	404	318	270	206	152	118	80.1	61.9	45.7	35.5	29.4	24.8	15.9	8.70	7.25
10.8V	576	497	368	300	263	199	146	116	77.7	59.6	44.8	35.1	28.9	24.5	15.7	8.66	7.21

## ■ Ampere Table(25°C)

Cut-off V	Ampere/Battery																
	3min	5min	10min	15min	20min	30min	45min	1h	1.5h	2h	3h	4h	5h	6h	10h	20h	24h
9.6V	76.5	61.2	40.6	30.4	25.2	18.5	13.4	10.5	7.11	5.49	3.96	3.01	2.49	2.10	1.35	0.730	0.609
9.9V	71.8	58.0	39.7	29.9	24.7	18.2	13.3	10.4	7.01	5.45	3.94	3.00	2.48	2.09	1.34	0.728	0.608
10.2V	66.6	54.5	38.6	29.2	24.2	18.1	13.1	10.3	6.89	5.36	3.90	2.99	2.46	2.08	1.33	0.727	0.606
10.5V	59.9	49.8	36.1	27.6	23.3	17.6	13.0	10.0	6.78	5.22	3.84	2.97	2.45	2.07	1.33	0.725	0.604
10.8V	51.8	44.6	32.9	26.1	22.7	17.0	12.5	9.82	6.58	5.03	3.77	2.94	2.41	2.04	1.31	0.722	0.601

# Panasonic LC-R1215PG

12V 15Ah Lead Acid Battery

CoolPower  
Solutions

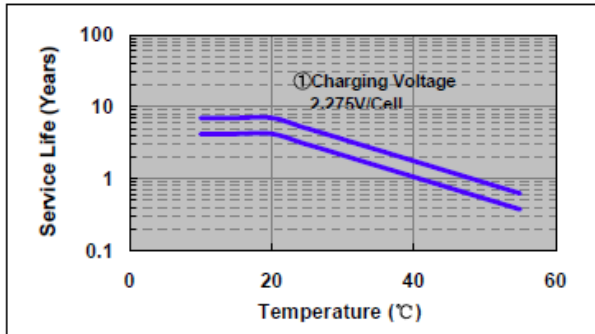
## Charging Method (25°C)

Cycle use	Control voltage: 14.5-14.9V; Initial current: 6A or smaller
Trickle use	Control voltage: 13.6-13.8V; Initial current: 2.25A or smaller

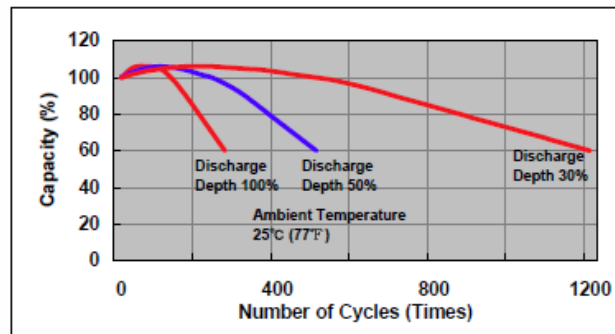
## Cut off voltage

Discharge current	0.75A-3A	3A-7.5A	7.5A-15A	15A-30A	30A-45A
Cut off voltage(V)	10.5	10.2	9.9	9.3	8.7

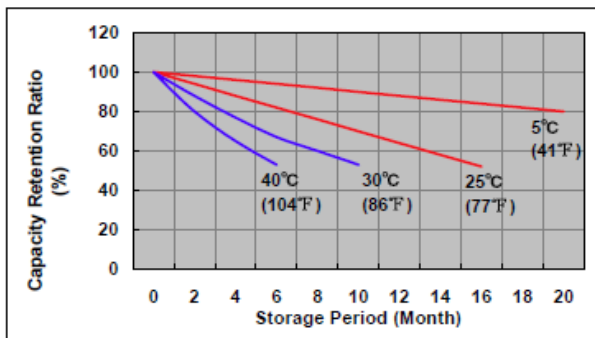
## Influence of Temperature on Trickle life



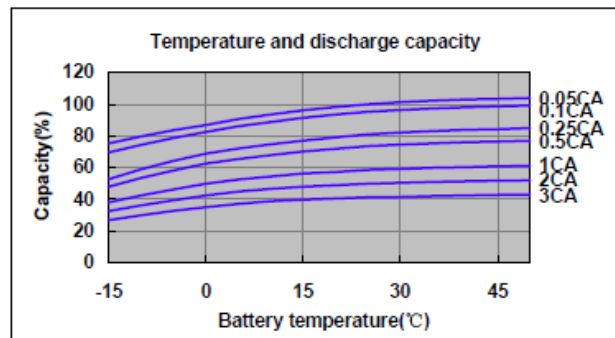
## Cycle life vs. Depth of discharge



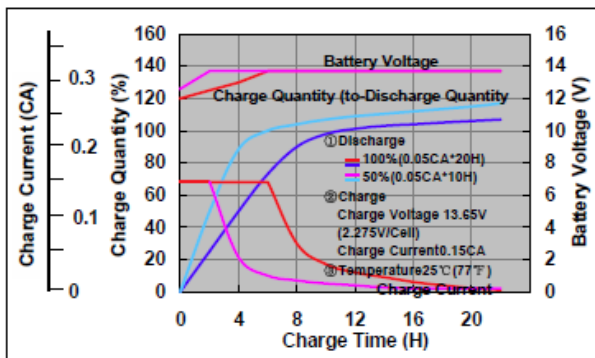
## Residual capacity test result



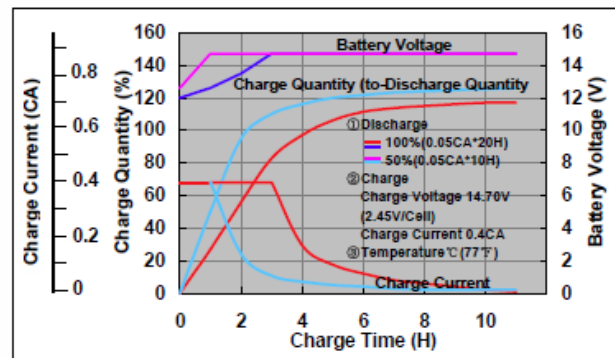
## Discharge capacity by temperature and by discharge current



## Constant-voltage constant-current charge characteristics for Trickle use



## Constant-voltage constant-current charge characteristics for Cycle use



## Discharge characteristics (25°C)

