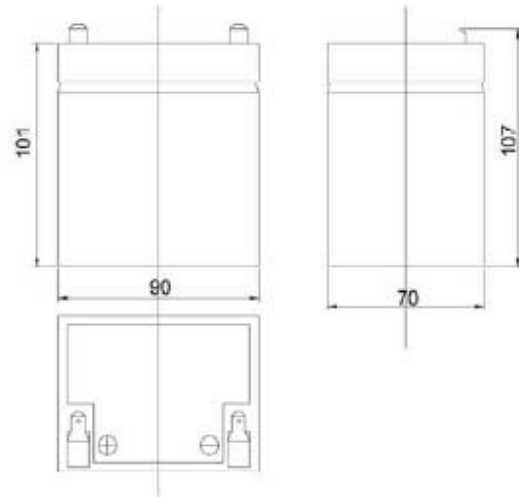


CT5-12H

12V 5Ah Lead Acid Battery

CoolPower
Solutions



General Specifications and Characteristics

Battery model	CT5-12H			
Nominal voltage	12V			
Capacity (25°C)	20hR(0.25A, 1.75v)	10hR(0.47A, 1.75v)	5hR(0.8A, 1.75v)	1hR(3.67A, 1.60v)
	5.0Ah	4.7Ah	4.0Ah	3.67Ah
Dimensions Max.	Length	Width	Height	Total Height
	90mm(3.54inch)	70mm(2.75inch)	101mm(3.98inch)	107mm(4.21inch)
Approx. Weight	1.6kg(3.9Gibs.)			
Internal resistance	Full charged at 25°C:32mΩ			
Self discharge	3% of capacity declined per month at 20°C			
Capacity affected by temp.(20 hR)	40°C	25°C	0°C	-15°C
	102%	100%	85%	65%
Charge voltage (25°C)	Cycle use		Float use	
	14.5-14.9V(-30mV/°C),max.current:2.0A		13.6-13.8V(-20mV/°C)	

