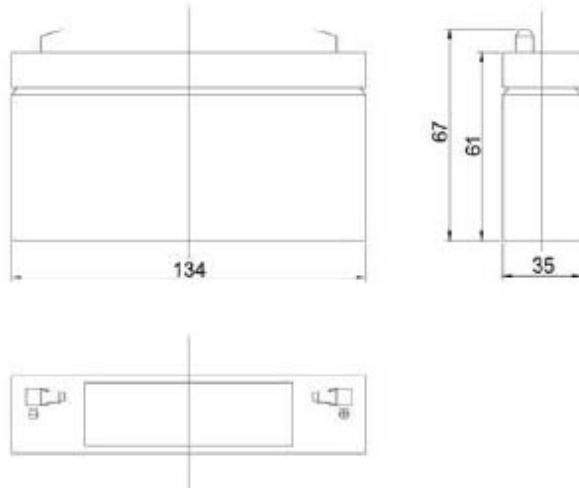


CT3.2-6

6V 3.2Ah Lead Acid Battery



General Specifications and Characteristics

Battery model	CT3.2-6			
Nominal voltage	6V			
Capacity (25°C)	20hR(0.16A, 1.75v)	10hR(0.3A, 1.75v)	5hR(0.51A, 1.75v)	1hR(2.17A, 1.60v)
	3.2Ah	3.0Ah	2.55Ah	2.17Ah
Dimensions Max.	Length	Width	Height	Total Height
	134mm(5.28inch)	35mm(1.38inch)	61mm(2.4inch)	67mm(2.64inch)
Approx. Weight	0.71kg(1.56lbs.)			
Internal resistance	Full charged at 25°C:28mΩ			
Self discharge	3% of capacity declined per month at 20°C			
Capacity affected by temp. (20 hR)	40°C	25°C	0°C	-15°C
	102%	100%	85%	65%
Charge voltage (25°C)	Cycle use		Float use	
	7.25-7.45V(-15mV/°C), max current:1.28A		6.8-6.9V(-10mV/°C)	

