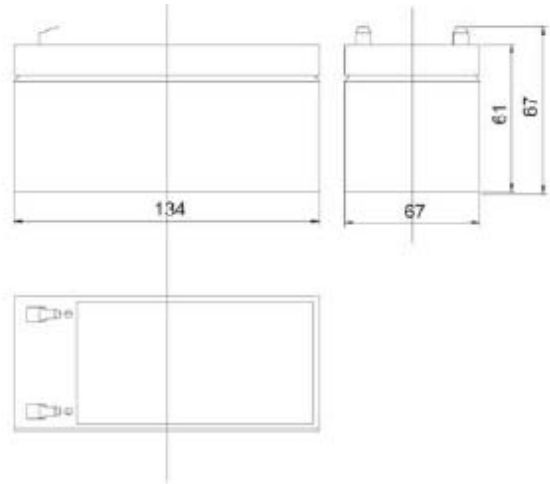


# CT3.2-12

12V 3.2Ah Lead Acid Battery



### General Specifications and Characteristics

Battery model		CT3,2-12			
Nominal voltage		12V			
Capacity (25°C)	20hR(0.16A, 1.75v)	10hR(0.3A, 1.75v)	5hR(0.51A, 1.75v)	1hR(2.17A, 1.60v)	
	3.2Ah	3.0Ah	2.55Ah	2.17Ah	
Dimensions Max.	Length	Width	Height	Total Height	
	134mm(5.28inch)	67mm(2.64inch)	61mm(2.4inch)	67mm(2.64inch)	
Approx. Weight		1.4kg(3.08lbs.)			
Internal resistance		Full charged at 25°C:42mΩ			
Self discharge		3% of capacity declined per month at 20°C			
Capacity affected by temp. (20 hR)	40°C	25°C	0°C	-15°C	
	102%	100%	85%	66%	
Charge voltage (25°C)	Cycle use		Float use		
	14.5~14.9V(-30mV/°C),max.current:1.28A		13.6~13.8V(-20mV/°C)		

