

AFC Series

10 W AC/DC Power Module

CoolPower
Solutions

- Switching Power Module for PCB Mountable
- Fully Encapsulated Plastic Case
- Universal Input Range 90-264VAC, 47-440 Hz
- Regulated Output
- Low Ripple and Noise
- High Efficiency
- CE, CB, UL Approvals
- 2-Years Product Warranty



Electrical specifications

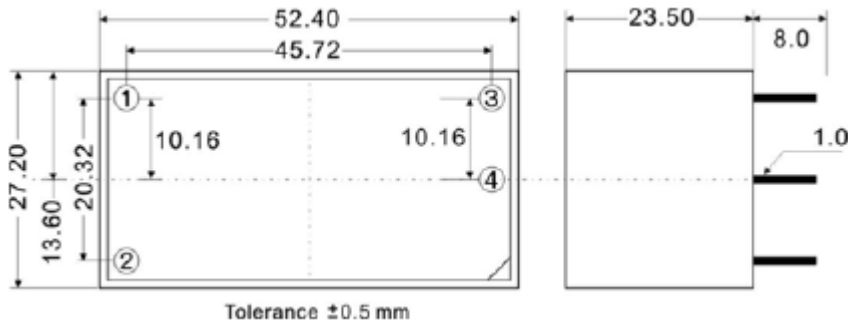
Model No.	AFC-3.3S	AFC-5S	AFC-12S	AFC-15S	AFC-24S		
Max Output Wattage (W)	10W	10W	10W	10W	10W		
Input	Voltage						
	90-264 VAC						
	Frequency (Hz)						
	47-440 Hz						
	Current (Full load)						
220 mA max. (115 VAC) / 150 mA max. (230 VAC)							
Inrush Current (<2ms)							
10 A max. (115 VAC) / 20 A max. (230 VAC)							
Leakage Current							
0.25 mA max.							
Output	Voltage (V.DC.)		3.3V	5V	12V	15V	24V
	Voltage Accuracy		±2%				
	Current (mA) max		2500	2000	833	667	417
	Line Regulation (LL-HL) (typ.)		±0.3%				
	Load Regulation (5-100%) (typ.)		±0.5%				
	Minimum Load		0%				
	Maximum Capacitive Load		470-23,000µF depending on model				
	Ripple		<0.2% Vout +40mV max (Vp-p)				
	Noise		<0.5% Vout +50mV max (Vp-p)				
	Efficiency		70%	72%	76%	75%	72%
	Hold-up Time		15 ms min.				
	Protection	Over Power Protection		Hiccup technique, auto-recovery			
Over Voltage Protection		Zener diode clamp					
Short Circuit Protection		Hiccup mode, indefinite (automatic recovery)					
Isolation	Input-Output (V.AC)		3000V				
Environment	Operating Temperature		-25°C...+70°C (with derating)				
	Storage Temperature		-40°C...+85°C				
	Temperature Coefficient		±0.02%/°C				
	Humidity		20-85% RH				
	MTBF		>330,000 h @ 25°C (MIL-HDBK-217F)				
Physical	Dimension (L x W x H)		2.06 x 1.07 x 0.93 Inches (52.4 x 27.2 x 23.5 mm) Tolerance ±0.5 mm				
	Case Material		Plastic resin with Fiberglass (flammability to UL 94V-0)				
	Weight		54 g				
	Cooling Method		Free air convection				
Genera	Vibration		10-55 Hz 0.5 mm width/ 1 minute cycle				
	Shock		20 G (3 directions each 3 times.)				
Safety	Agency Approvals		UL/cUL, CE, CB				
EMC	EMI (Conducted & Radiated Emission)		EN 55022 class B				
	EMS (Noise Immunity)		EN 55024				

All specifications valid at nominal input voltage, full load and +25°C after warm-up time unless otherwise stated.

AFC Series

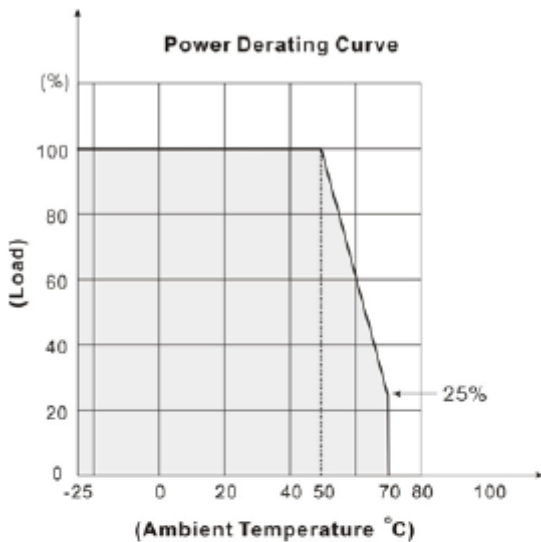
10 W AC/DC Power Module

MECHANICAL DIMENSIONS (Top View)



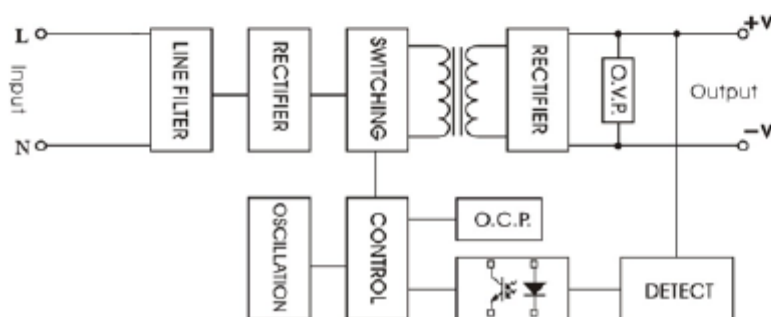
Pin no:	Single
1	AC IN (N)
2	AC IN (L)
3	+DC OUT
4	-DC OUT

DERATING



BLOCK DIAGRAM

Single Output



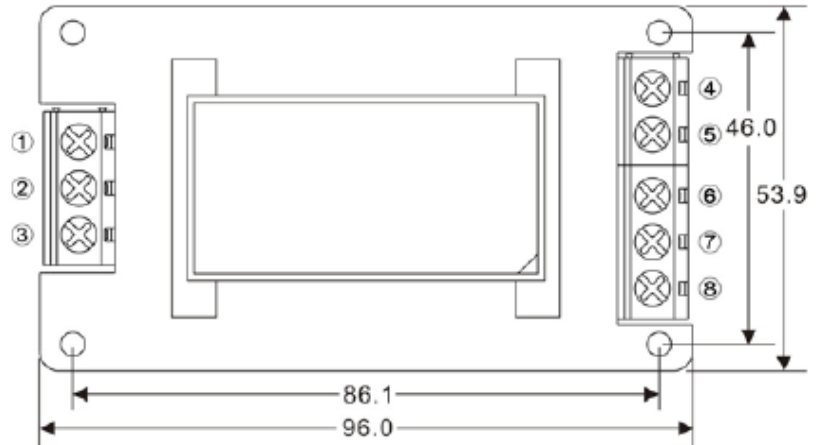
AFC Series

10 W AC/DC Power Module

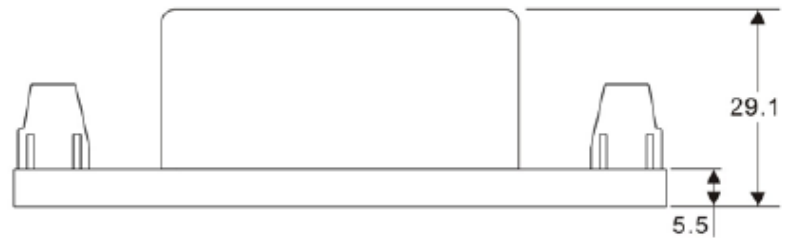
CoolPower
Solutions

SCREW TERMINALS

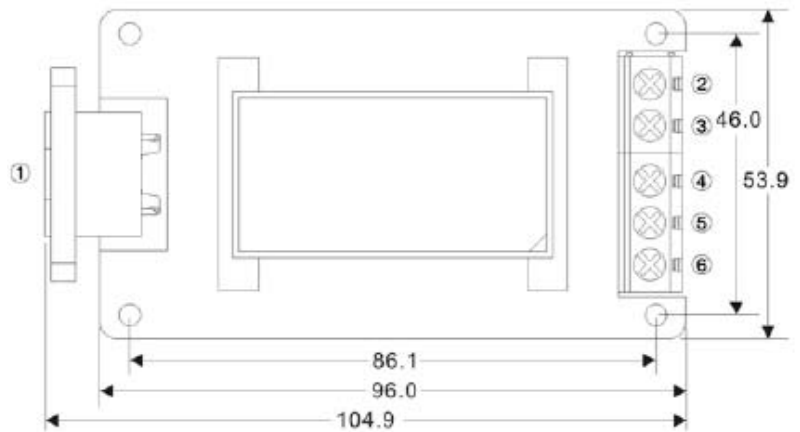
AFC-A2



Pin no:	Single
1	NO CONN
2	AC IN (N)
3	AC IN (L)
4	NO CONN
5	+DC OUT
6	-DC OUT
7	NO CONN
8	NO CONN



AFC-A3



Pin no:	Single
1	AC IN
2	NO CONN
3	+DC OUT
4	-DC OUT
5	NO CONN
6	NO CONN



CoolPower
Solutions

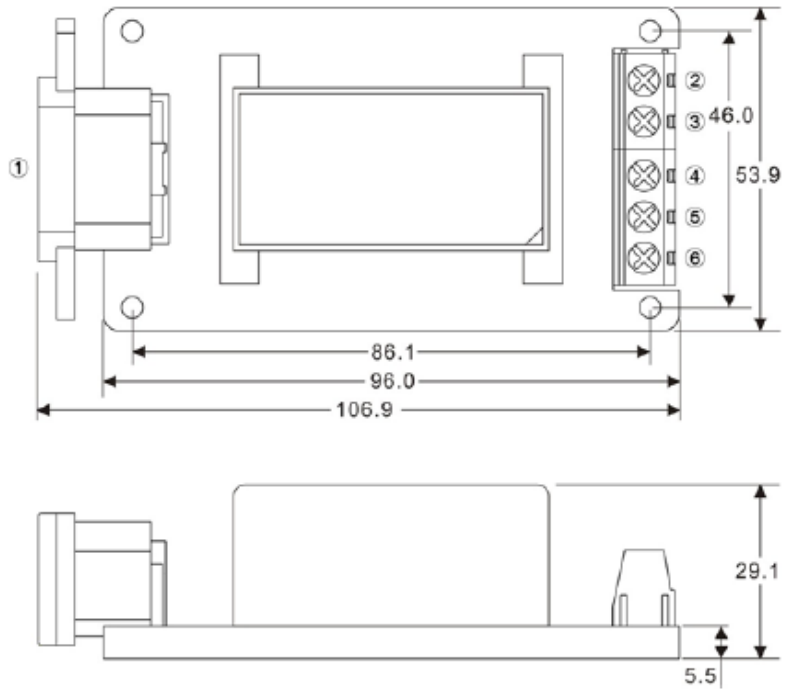
AFC Series

10 W AC/DC Power Module

AFC-A4



Pin no:	Single
1	AC IN
2	NO CONN
3	+DC OUT
4	-DC OUT
5	NO CONN
6	NO CONN

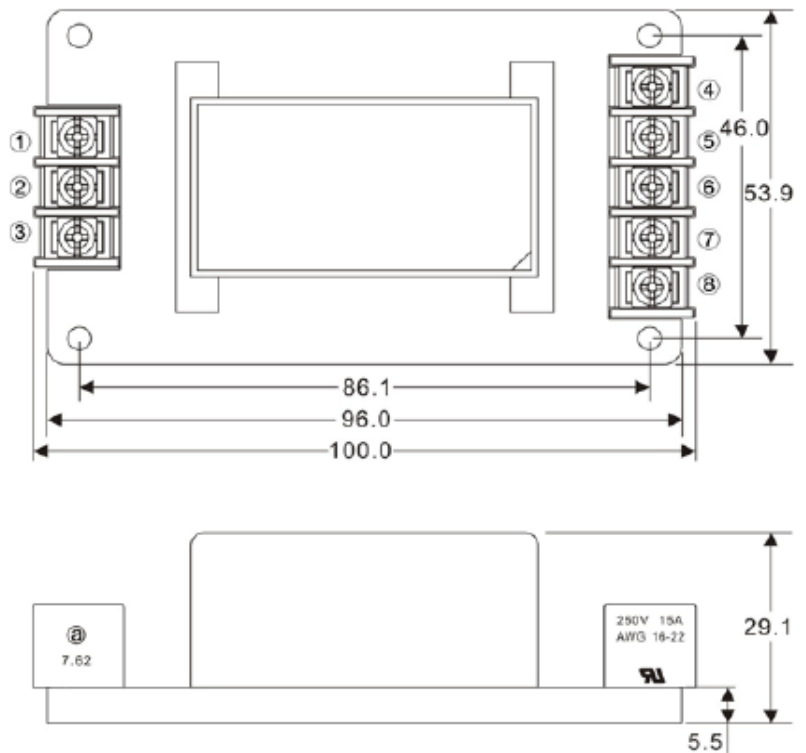


CoolPower
Solutions

AFC-A5



Pin no:	Single
1	NO CONN
2	AC IN (N)
3	AC IN (L)
4	NO CONN
5	+DC OUT
6	-DC OUT
7	NO CONN
8	NO CONN



AFC Series

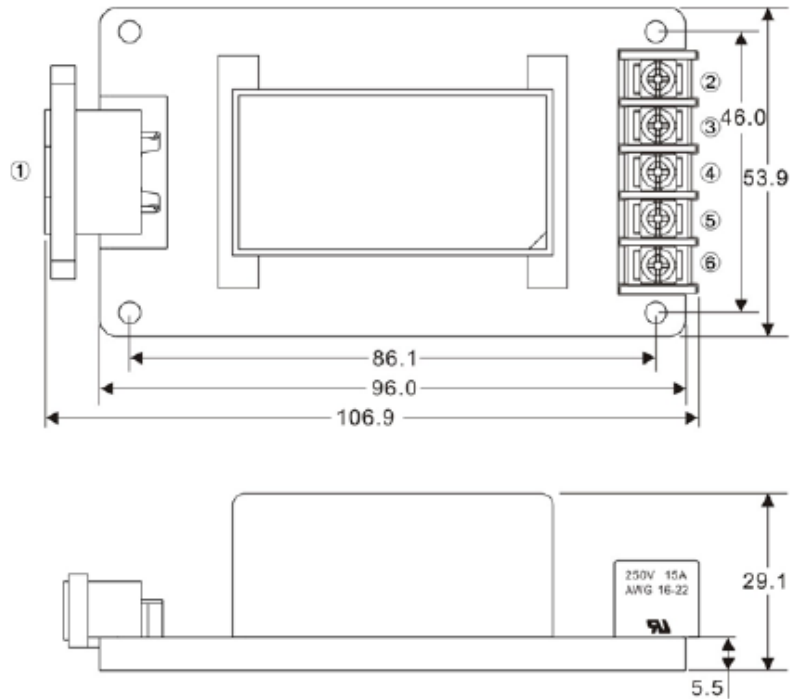
10 W AC/DC Power Module

CoolPower
Solutions

AFC-A6



Pin no:	Single
1	AC IN
2	NO CONN
3	+DC OUT
4	-DC OUT
5	NO CONN
6	NO CONN



CoolPower
Solutions

AFC-A7



Pin no:	Single
1	AC IN
2	NO CONN
3	+DC OUT
4	-DC OUT
5	NO CONN
6	NO CONN

